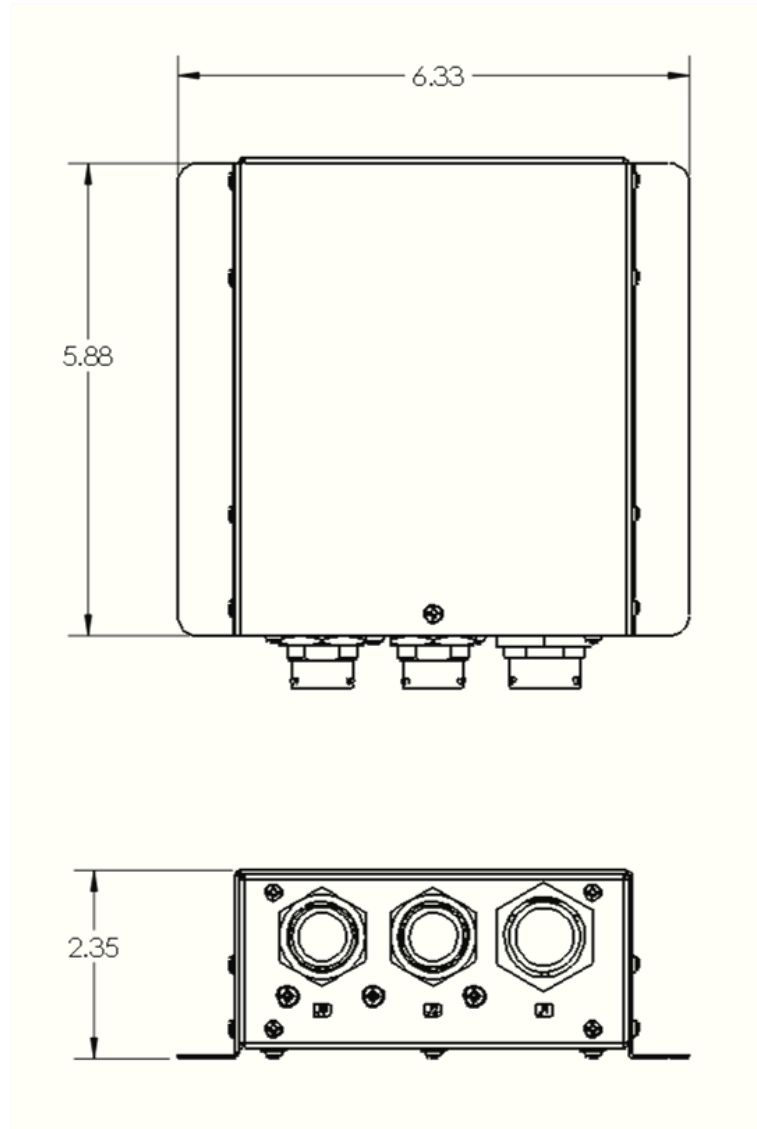


**ATU overall dimensions**



## ATU Specifications

---

		<b>Unit</b>	<b>Comments</b>
Weight:	15	Oz.	
Material:	Aluminum Alloy		Enclosure
Coating:	Alodine		MIL-DTL-5541-F, CLASS 1A

---

## Electrical

		<b>Unit</b>	<b>Comments</b>
Nominal Voltage:	28.0	VDC	
Under Voltage:	18.0	VDC	
Current Draw:	90	mA	
Ground:			Local Airframe Ground
Digital Output:	RS232		
Analog Output:	0-5	VDC	Proportional to Max Load
Analog Output:	4-20	mA	Proportional to Max Load
Radiated Emissions	DO-160G Section		Category H
Conducted Emissions	DO-160G Section		Category H

---

## Environmental

		<b>Unit</b>	<b>Comments</b>
Temperature:	-45 to 70	C	Operating
	-55 to 85	C	Storage
Vibration:	4.2	G RMS	5-500Hz
Shock:	+/- 6	G	11 ms

---